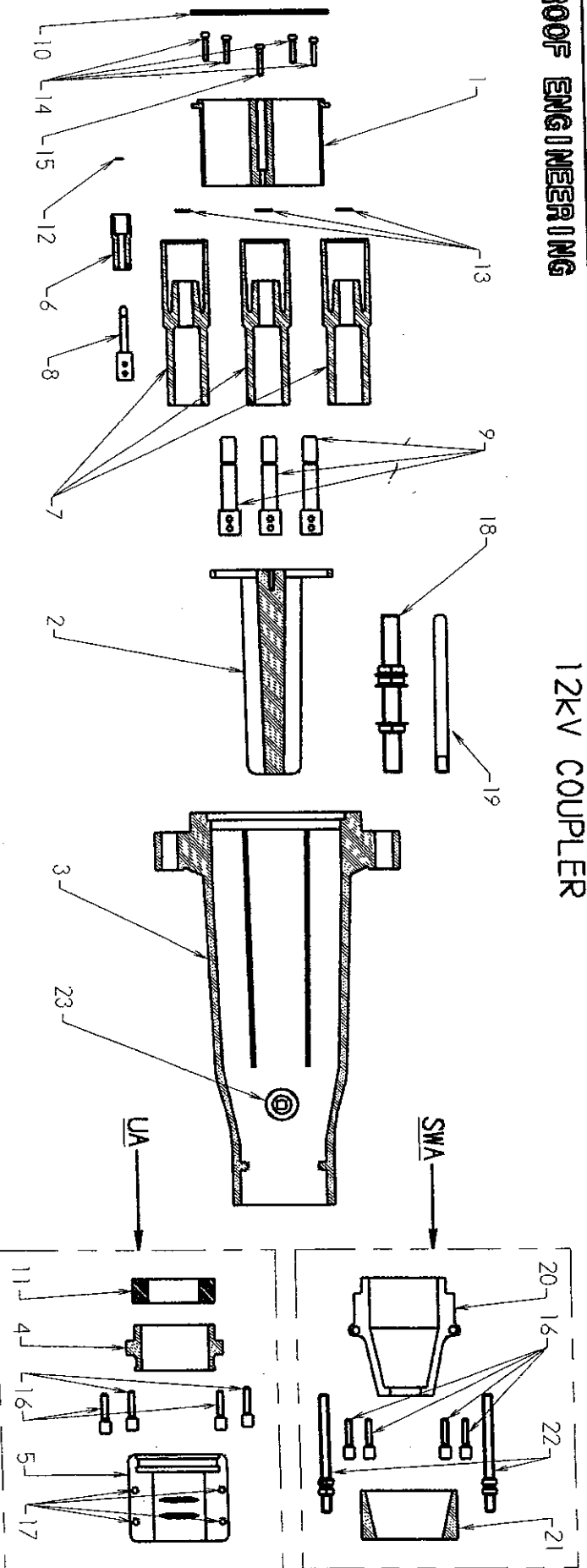
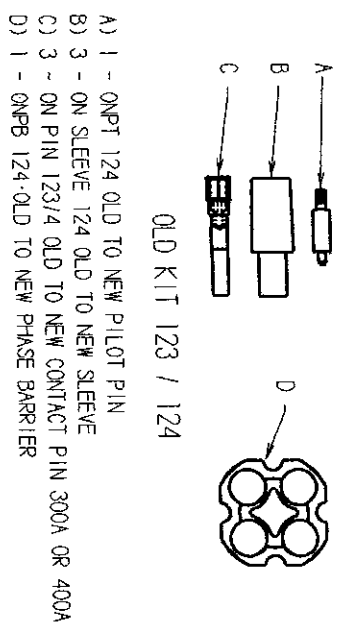


12KV COUPLER



- 1) HAC124 CAGE X 1
- 2) HCS12 STAR X 1
- 3) HC121 BODY - HALF COUPLER X 1
- 4) HC122 GLAND CLAMP X 1
- 5) UA124 UA CABLE CLAMP X 1
- 6) PI124 INSULATOR - PILOT X 1
- 7) INST124 INSULATOR - CONTACT PIN X 3
- 8) PP124 PILOT PIN WITH GRUB SCREWS X 1
- 9) MCP124 CONTACT PIN WITH GRUB SCREWS X 3
- 10) SR124 SEALING RING X 1
- 11) CR124 COMPRESSION RING X 1
- 12) PCC124 CIRCLIP - PILOT PIN X 1
- 13) PCC12 CIRCLIP - CONTACT PIN X 3
- 14) HCS126 M6 X 30 CAP SCREW - CAGE X 4
- 15) HCS126 M6 X 30 CAP SCREW - CAGE TO STAR X 1
- 16) HCS128 M8 X 30 CAP SCREW - GLAND CLAMP X 4
- 17) HCS128 M8 X 60 SCREWS & M8 NUTS X 4

- 18) SPT11 7/16 BSW X 200MM SEPERATION TOOL X 1 WITH WASHERS AND NUTS
- 19) GP11 GUIDE PIN X 1
- 20) HC123 SPLIT SWA GLAND HALF X 2
- 21) HC113 SWA BELL CAP X 1
- 22) HCS129 1/2 BSW X 170MM BELL CAP STUD & NUT X 2
- 23) P-PLUG-B PLUG FILLER 1 1/4" BSP X 1



- A) 1 - ONPT 124 OLD TO NEW PILOT PIN
 - B) 3 - ON SLEEVE 124 OLD TO NEW SLEEVE
 - C) 3 - ON PIN 123/4 OLD TO NEW CONTACT PIN 300A OR 400A
 - D) 1 - ONPB 124-OLD TO NEW PHASE BARRIER
- OLD KIT 123 / 124
- E) 1 - PT 124 12 KV PILOT TUBE
 - F) 3 - SLEEVE 124 12KV SLEEVE
 - G) 3 - PCT 124 12 KV CONTACT TUBE
- NEW KIT 124

HC 124 UA / SWA