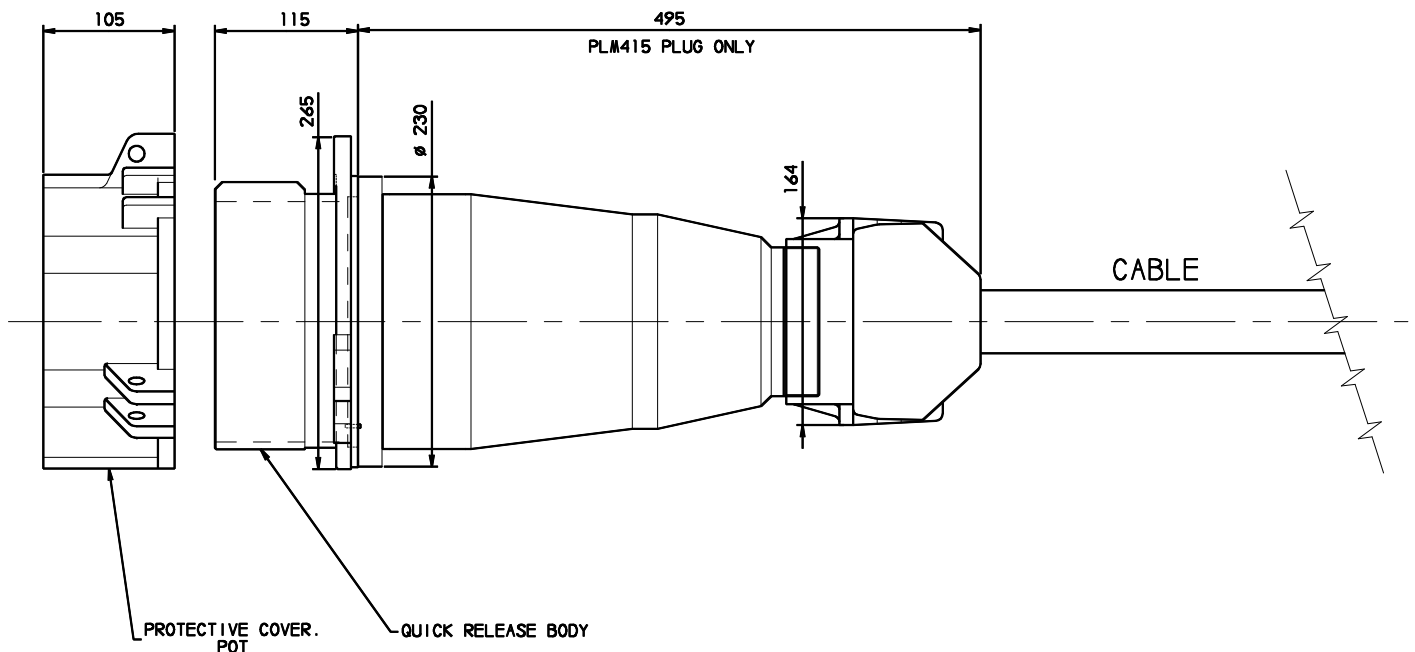


OUTSIDE DIMENSIONS OF ONE PLM415 PLUG.
495 + 115 LONG x 230 DIAMETER



PROOF ENGINEERING (Pty) Ltd	
MATERIAL: X X X	FINISH: NATURAL
DRAWN: E.C.B.	TITLE:
DATE: 2013-08-12	PLM415 PLUG
APPROVED: ---	QUICK RELEASE
DATE: ---	OUTSIDE DIMENSIONS
PART NO: XXX	DWG NO: XXX

REV	DESCRIPTION	DATE	AUTHORISED
0	NEW DRAWING	2013-08-12	

A0

