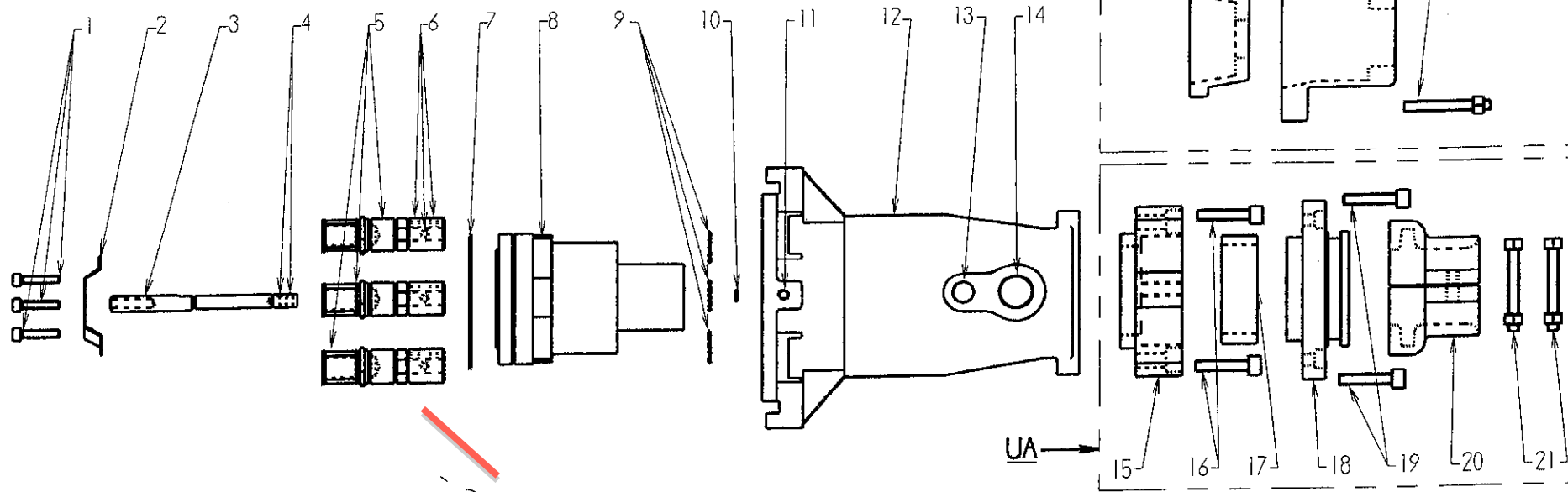
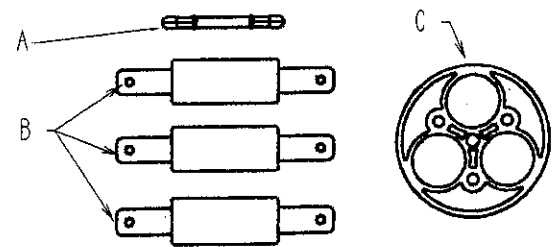


3.3kV COUPLER



- | | |
|------------------------------|--|
| 1) 3 - M6 X 40mm CAP SCREW | 13) 3/8" BSPT FILLER PLUG |
| 2) ST 33 INSULATOR STAR | 14) 3/4" BSPT FILLER PLUG |
| 3) PT 33 PILOT TUBE | 15) UA 361 GLAND HOUSING |
| 4) 2 - M4 X 10mm GRUB SCREW | 16) 2 - M10 X 30mm CAP SCREW |
| 5) 3 - CT 33 CONTACT TUBE | 17) CR 50/55/60/65/70 COMPRESSION RUBBER |
| 6) 9 - M8 X 12mm GRUB SCREW | 18) UA 362 COMPRESSION GLAND |
| 7) OR 33 INSULATOR O-RING | 19) 2 - M10 X 25mm CAP SCREW |
| 8) IN 33 INSULATOR | 20) UA 36 50/55/60/65/70 UA CLAMP |
| 9) 3 - CC 25 CONTACT CIRCLIP | 21) 2 - M8 X 60mm BOLT & NUT |
| 10) CC 09 PILOT CIRCLIP | 22) HC 332 SWA GLAND |
| 11) M8 X 30mm EARTH STUD | 23) HC 333 SWA CAP |
| 12) HC 331 COUPLER BODY | 24) 2 - M10 X 70mm STUD |



- A) 1 - PP 33 PILOT PIN
 B) 3 - MPP 333 MAIN PHASE PIN
 C) 1 - SSR 33 SEALING RING

HC 333 UA / SWA